

# H-Tech LED Wall Light



- CREE LED source.High luminous efficiency and long life.
- High efficiency LED driver ,the wide input voltage is AC100-277V
- Light efficiency>70LM/W, CRI >80
- Die-casting cooling design,better cooling,.LED Tj<85°C
- The products got the CE RoHS , UL&CUL ,FCC certification
- Excellent lampshade design,greatly improve the light utilization and evenness

- Light sensor and PIR sensor

## Parameter

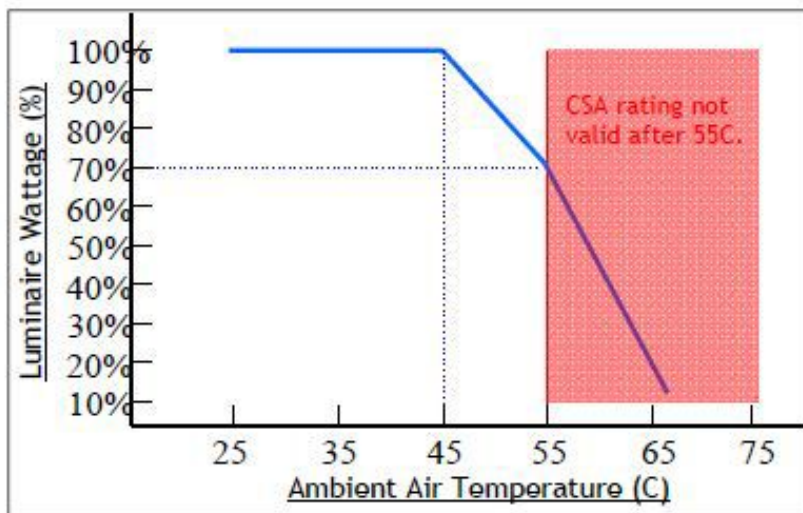
<b>Type</b>	CH-WL-12W	<b>Input Voltage</b>	100-277V/50-60Hz
<b>Light Source</b>	CREE	<b>Light on time</b>	10sec-10min
<b>Power</b>	12W	<b>Power Factor</b>	0.95
<b>Beam Angle</b>	30°	<b>THD</b>	<15%
<b>Luminous Flux</b>	More than 840LM	<b>Connection</b>	3 Polors
<b>Lumen Efficacy</b>	Up to 70LM/W	<b>Warranty</b>	3 Years
<b>Color Temperature</b>	3000-6500K	<b>IP Rating</b>	IP65
<b>Operating Temp.</b>	-30-45°C	<b>Replace For</b>	24W(HID)
<b>CRI</b>	Ra80	<b>Certification</b>	UL.FCC.ROHS
<b>Driver</b>	Own	<b>UL Number</b>	E468679

## Application

LED wall Light series can be widely used in Home wall lighting



## Temperature Compensation



Control module activates at 45C. L70 output reached at 55C.

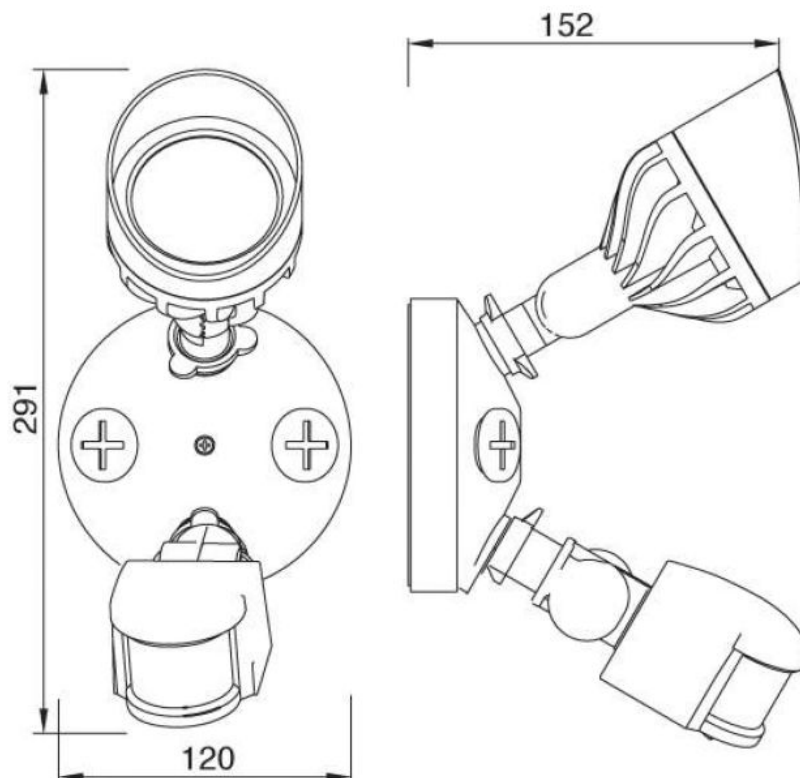
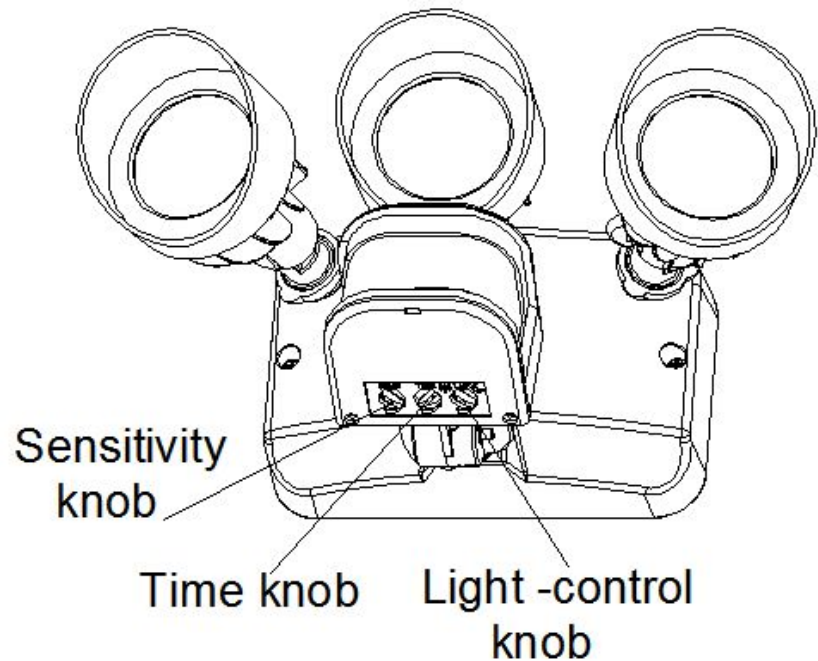
Continuous operation after 55C with increased compensation.

CSA certification valid to 55C only.

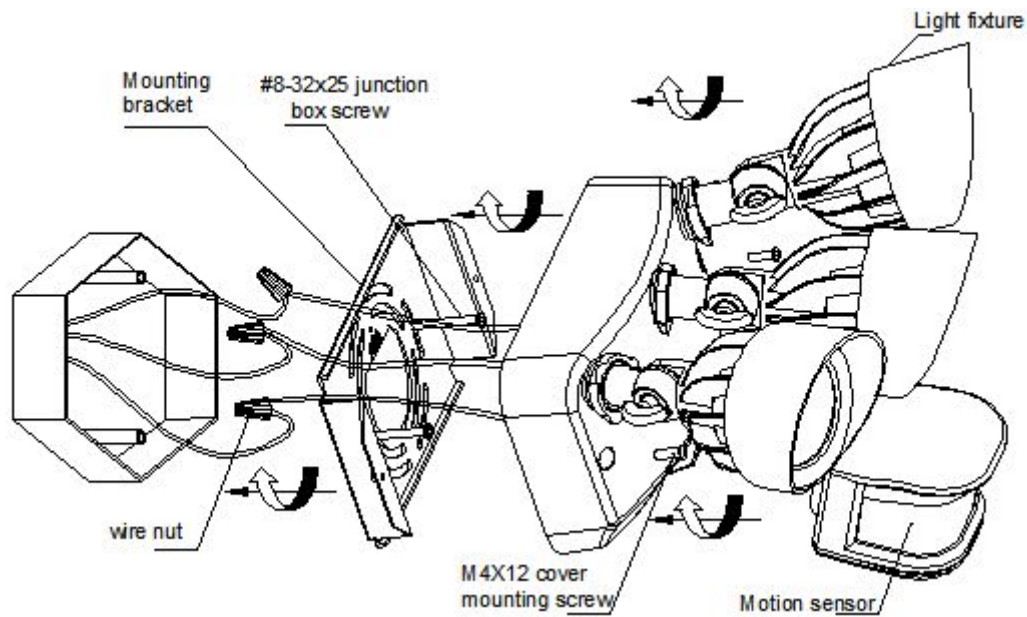
Chart accurate for Standard Output versions only.

## Structure and Size

9. On the bottom of the sensor there are three dials. Begin with the SENS (sensitivity) and LUX (brightness) in the Max position and the TIME in the minimum positions. You can then adjust each dial to meet your desired performance.



## Installation



## Packing details

Model	Meas	Qty	Net weight
CH-WL-TH-12	200*180*180mm	1pcs/carton	0.9kg

## Packaging Contents

