

H-Tech LED Wall Light



- CREE LED source.High luminous efficiency and long life.
- High efficiency LED driver ,the wide input voltage is AC100-277V
- Light efficiency>70LM/W, CRI >80
- Die-casting cooling design,better cooling,.LED Tj<85℃
- The products got the CE RoHS , UL&CUL ,FCC certification
- Excellent lampshade design,greatly improve the light utilization and evenness

- Light sensor and PIR sensor

Parameter

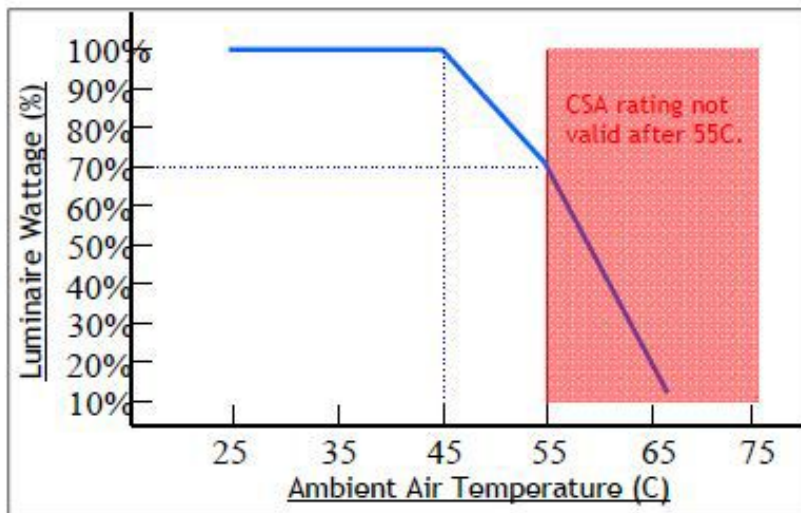
Type	CH-WL-ON-36W	Input Voltage	100-277V/50-60Hz
Light Source	CREE	Light on time	10sec-10min
Power	36W	Power Factor	0.95
Beam Angle	30°	THD	<15%
Luminous Flux	More than 2520LM	Connection	3 Polors
Lumen Efficacy	Up to 70LM/W	Warranty	5 Years
Color Temperature	3000-6500K	IP Rating	IP65
Operating Temp.	-30-45℃	Replace For	720W(HID)
CRI	Ra80	Certification	UL.FCC.ROHS
Driver	Own	UL Number	E468679

Application

LED wall Light series can be widely used in Home wall lighting



Temperature Compensation



Control module activates at 45C. L70 output reached at 55C.

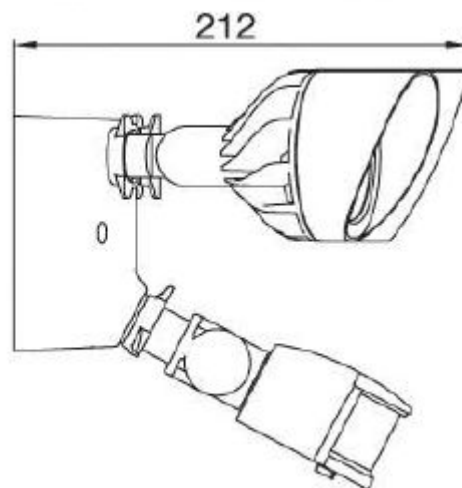
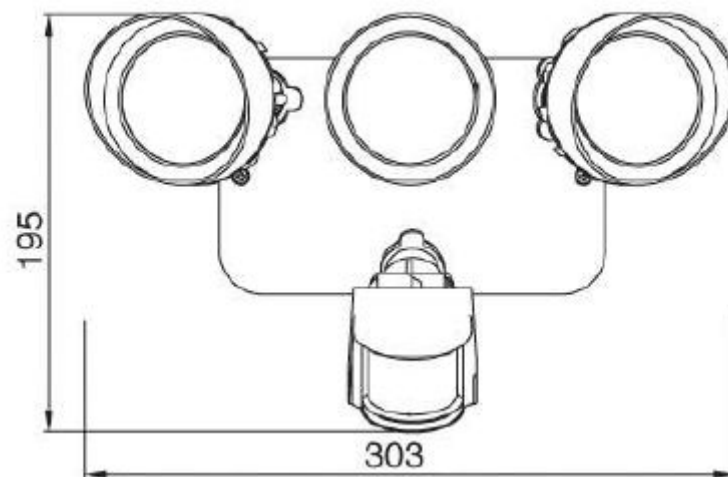
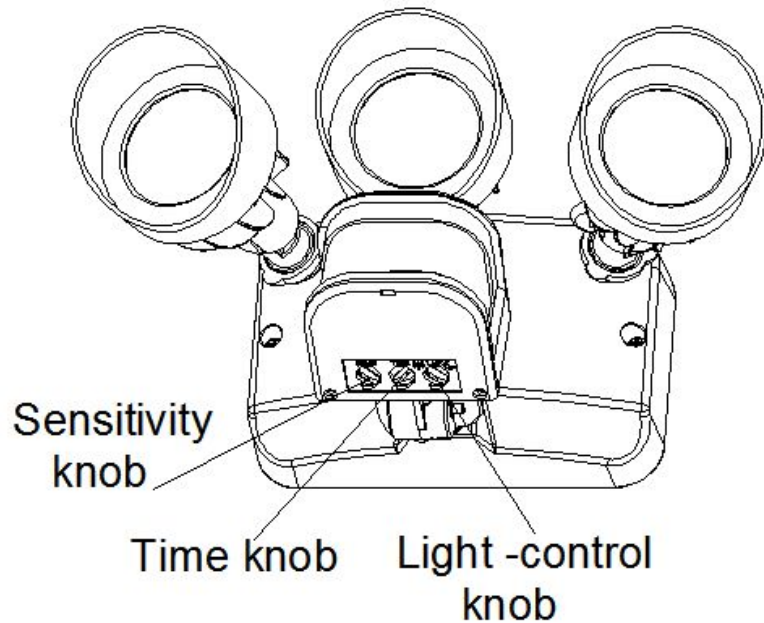
Continuous operation after 55C with increased compensation.

CSA certification valid to 55C only.

Chart accurate for Standard Output versions only.

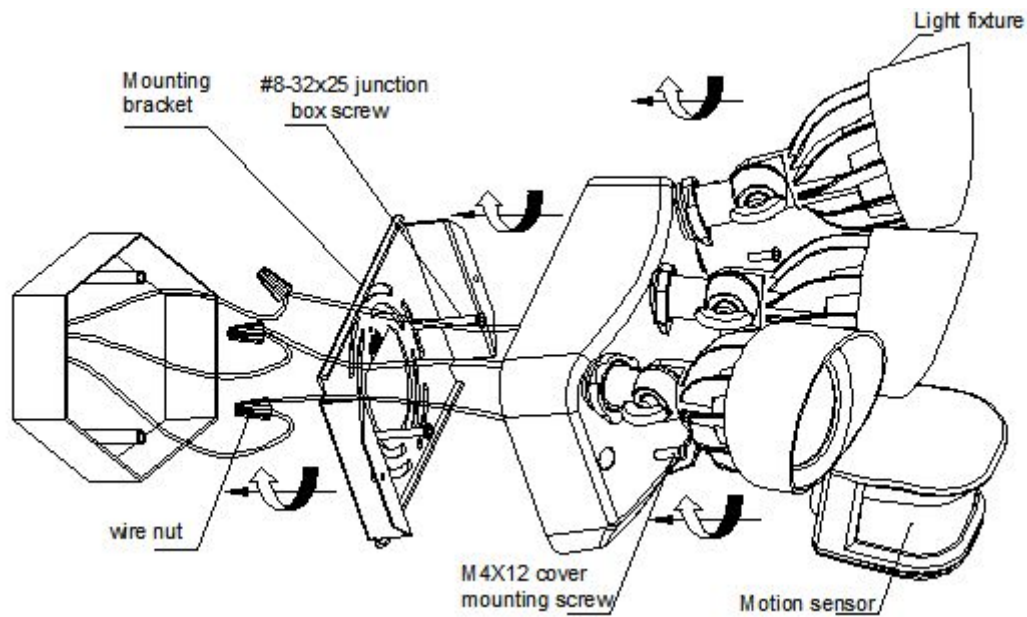
Structure and Size

9. On the bottom of the sensor there are three dials. Begin with the SENS (sensitivity) and LUX (brightness) in the Max position and the TIME in the minimum positions. You can then adjust each dial to meet your desired performance.



H-Tech LED Wall Light

Installation



Packing details

Model	Meas	Qty	Net weight
CH-WL-ON-36	260*250*230mm	1pcs/carton	2.0kg

Packaging Contents

