

# H-Tech LED Wallpack Light

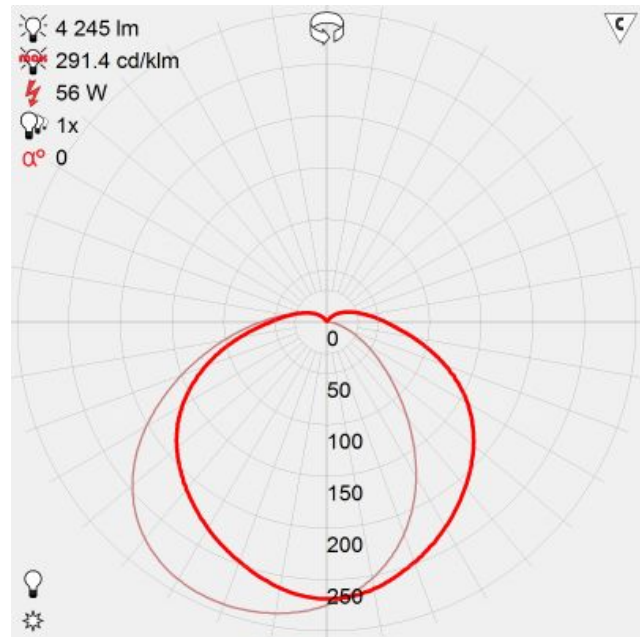


- CREE LED, high luminous efficiency and long working life.
- High efficiency LED Driver, the wide range input voltage AC100-277V;
- Cast aluminium cooling design better cooling, better cooling, light quality, LED Tj < 85°C.
- Excellent lampshade design, greatly improved the light utilization and evenness.

## Parameter

<b>Type</b>	CH-QB-50W	<b>Input Voltage</b>	100-277V/50-60Hz
<b>Light Source</b>	CREE	<b>Dimming</b>	NO
<b>Power</b>	50W	<b>Power Factor</b>	0.95
<b>Beam Angle</b>	180°	<b>THD</b>	<15%
<b>Luminous Flux</b>	More than 4500LM	<b>Connection</b>	3 Polors
<b>Lumen Efficacy</b>	Up to 90LM/W	<b>Warranty</b>	5 Years
<b>Color Temperature</b>	5000K(+/-400K)	<b>IP Rating</b>	IP66
<b>Operating Temp.</b>	-30-45°C	<b>Replace For</b>	100W(HID)
<b>CRI</b>	Ra75	<b>Certification</b>	UL.DLC.FCC.ROHS
<b>Driver</b>	MeanWell	<b>UL Number</b>	E472052

## Light Distribution Curve

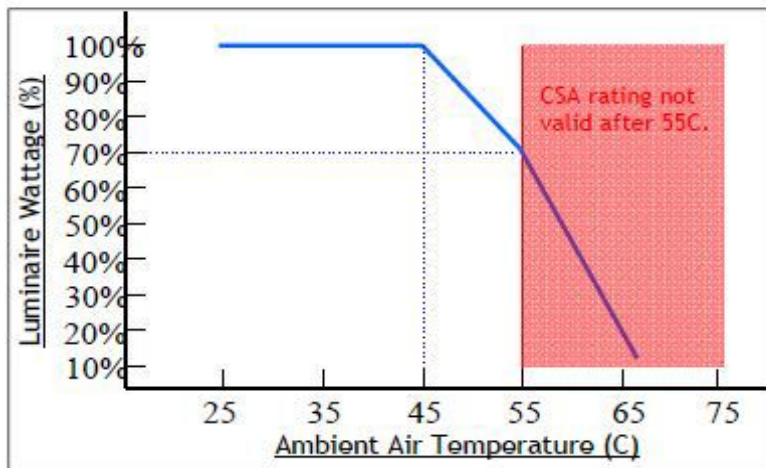


## Application

WALL PACK Lighting series can be widely used in indoor or outdoor lighting (Wet location), like mechanical or electronic processing workshops, storage warehouses, steel mills, gas stations, toll booth, waiting rooms, the platforms of railway station, indoor stadiums and flower cultivating tents etc.



## Temperature Compensation



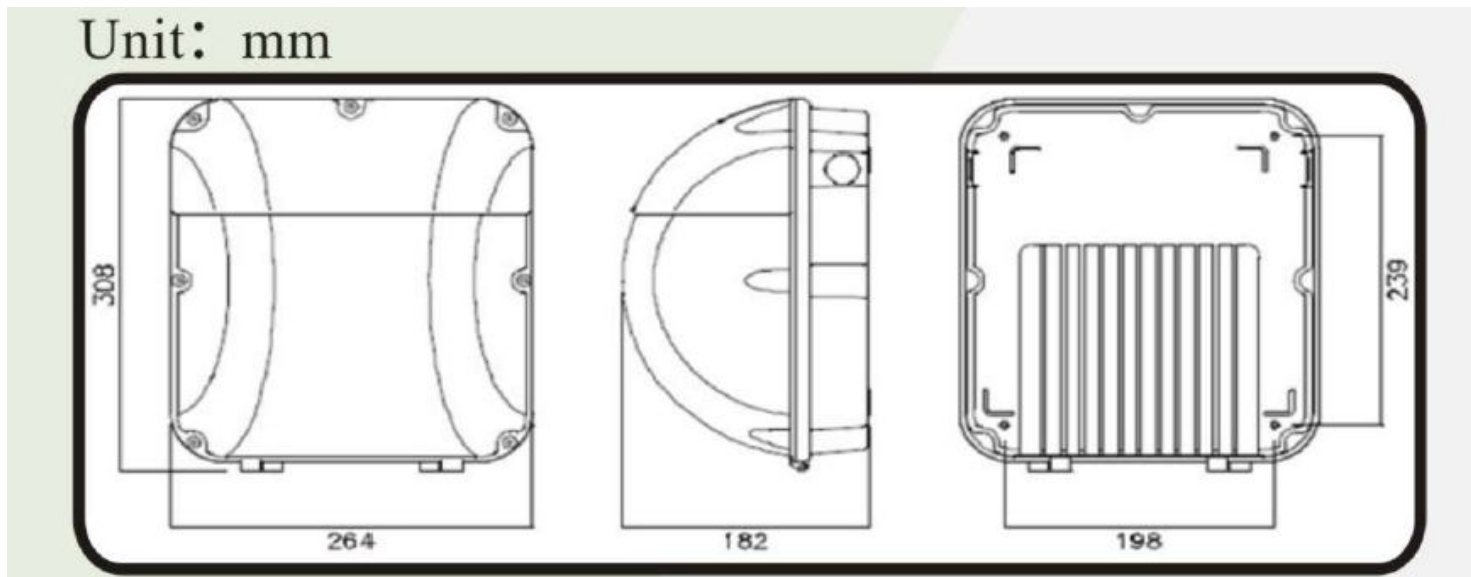
Control module activates at 45C. L70 output reached at 55C.

Continuous operation after 55C with increased compensation.

CSA certification valid to 55C only.

Chart accurate for Standard Output versions only.

## Size



## Packing details

Model	Meas	Qty	Net weight
CH-QB-35W	580*530*470mm	4pcs/carton	13kg