

H-Tech LED Wallpack Light



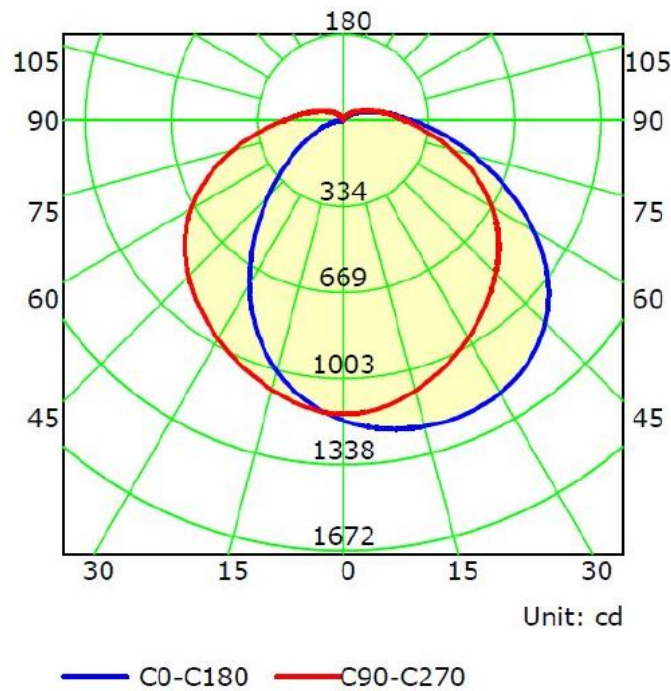
- CREE LED, high luminous efficiency and long working life.
- High efficiency LED Driver, the wide range input voltage AC100-277V;
- Cast Aluminium cooling design better cooling, better cooling, light quality, LED Tj < 85°C.
- Excellent lampshade design, greatly improved the light

utilization and evenness.

Parameter

Type	CH-QB-35W	Input Voltage	100-277V/50-60Hz
Light Source	CREE	Dimming	NO
Power	35W	Power Factor	0.95
Beam Angle	180°	THD	<15%
Luminous Flux	More than 3150LM	Connection	3 Polors
Lumen Efficacy	Up to 90LM/W	Warranty	5 Years
Color Temperature	5000K(+/-400K)	IP Rating	IP66
Operating Temp.	-30-45°C	Replace For	70W(HID)
CRI	Ra75	Certification	UL.DLC.FCC.ROHS
Driver	MeanWell	UL Number	E472052

Light Distribution Curve

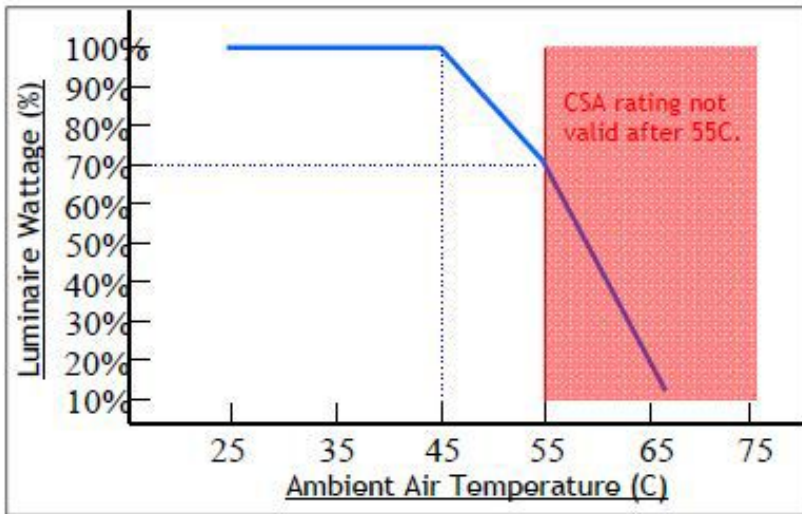


Application

WALL PACK Lighting series can be widely used in indoor or outdoor lighting (Wet location), like mechanical or electronic processing workshops, storage warehouses, steel mills, gas stations, toll booth, waiting rooms, the platforms of railway station, indoor stadiums and flower cultivating tents etc.



Temperature Compensation



Control module activates at 45C. L70 output reached at 55C.

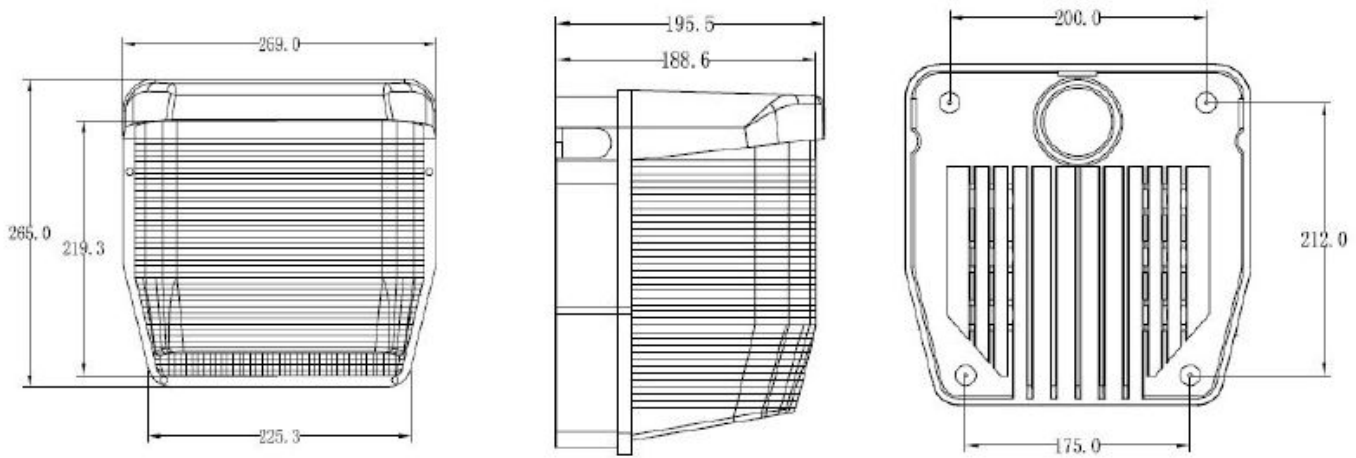
Continuous operation after 55C with increased compensation.

CSA certification valid to 55C only.

Chart accurate for Standard Output versions only.

Size

- Net weight: 3.00Kg
- Unit: mm



Packing details

Model	Meas	Qty	Net weight
CH-QB-35W	580*530*470mm	4pcs/carton	13kg