

H-Tech LED Shoebox Light



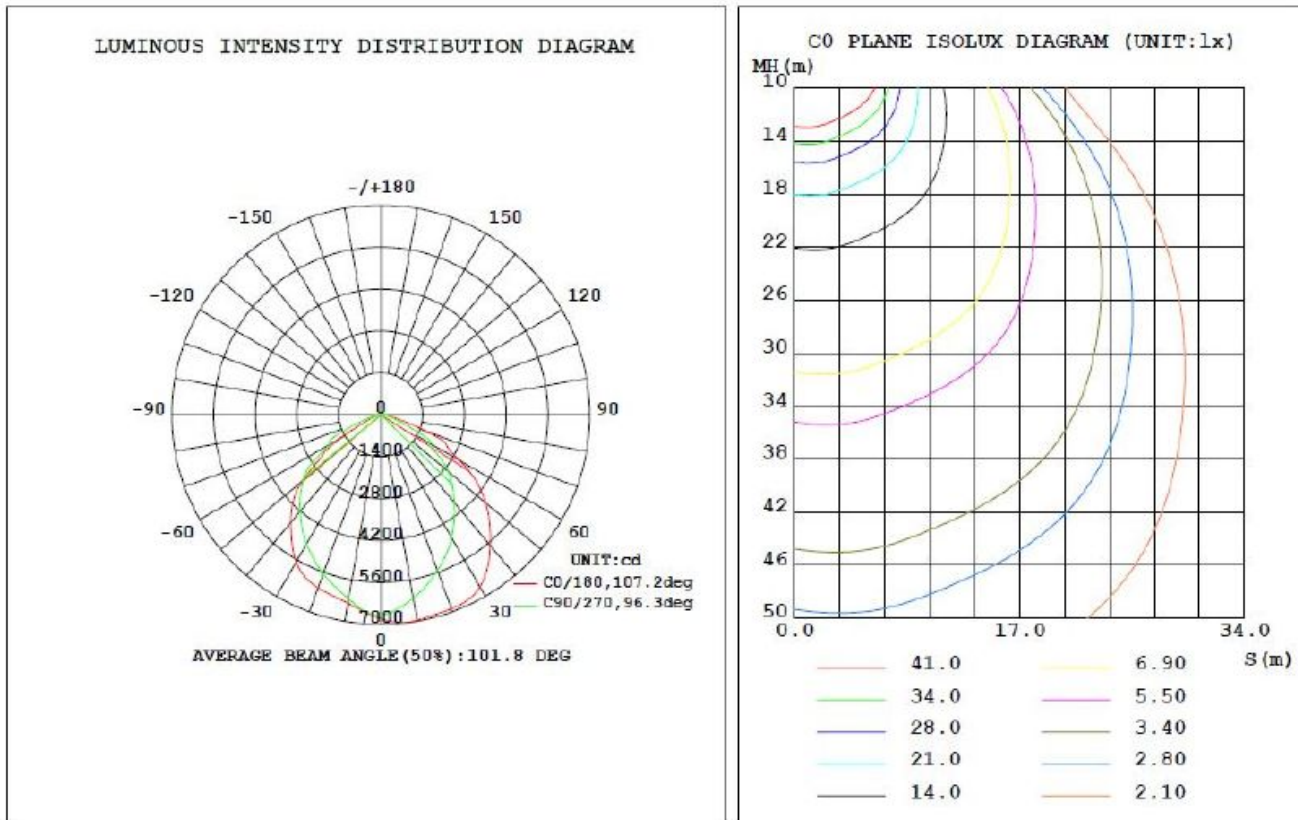
- Philips Lumileds LED source. High luminous efficiency and long life.
- High efficiency LED driver ,the wide input voltage is AC100-277V
- Light efficiency >90LM/W, CRI >80

- Heat pipe with FIN cooling design, better cooling, LED T_j < 85 °C
- The products got the RoHS , UL&CUL ,FCC,DLC certification
- Excellent lampshape design, greatly improve the light utilization and evenness

Parameter

Type	CH-XH-150W	Input Voltage	100-277V/50-60Hz
Light Source	PHILIPS Lumileds	Dimming	NO
Power	150W	Power Factor	0.95
Beam Angle	120°	THD	<15%
Luminous Flux	More than 13500LM	Connection	3 Polars
Lumen Efficacy	Up to 90LM/W	Warranty	5 Years
Color Temperature	3000-5000K	IP Rating	IP65
Operating Temp.	-30-45°C	Replace For	300W(HID)
CRI	Ra75	Certification	UL.DLC.FCC.ROHS
Driver	MeanWell	UL Number	E472052

Light Distribution Curve

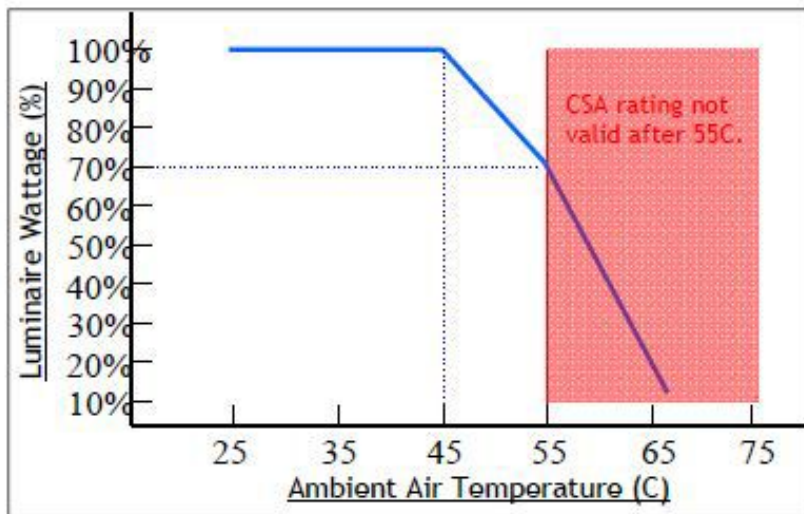


Application

LED gas station Light series can be widely used in sport place, Urban roads, Industrial areas, Residential areas, Sidewalks, Parking lot, Schools, Gardens and etc.



Temperature Compensation



Control module activates at 45C. L70 output reached at 55C.

Continuous operation after 55C with increased compensation.

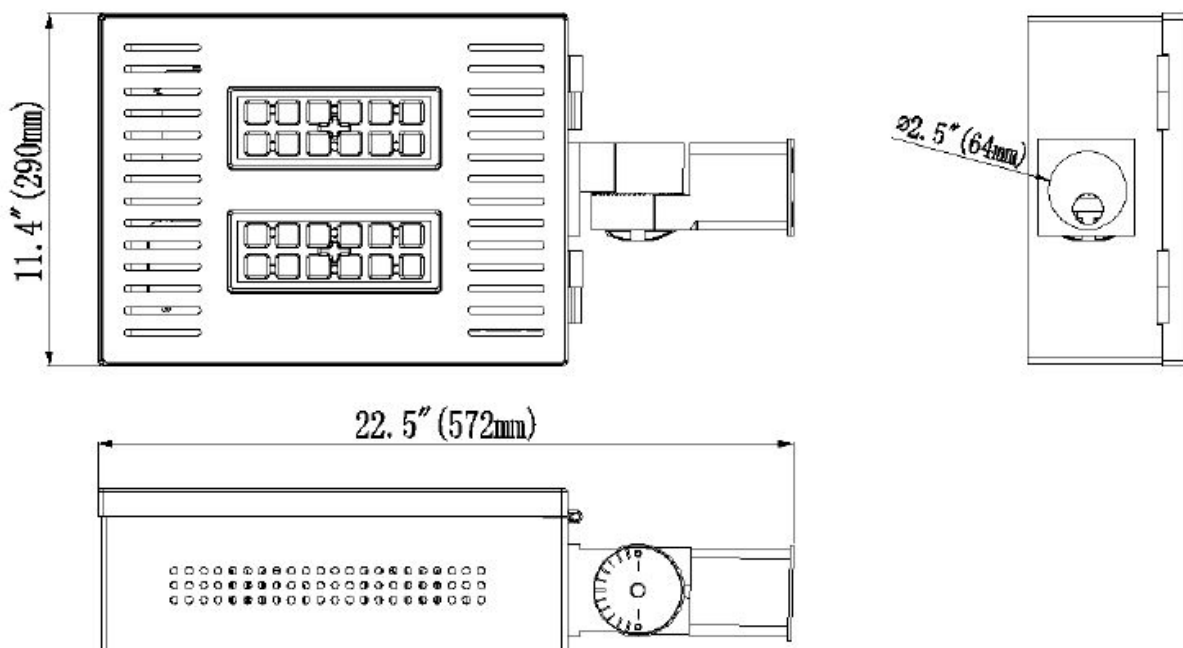
CSA certification valid to 55C only.

Chart accurate for Standard Output versions only.

Size

● Net weight: 9.50Kg

Unit: mm



Packing details

Model	Meas	Qty	Net weight
CH-XH-150W	662*360*277mm	1pcs/carton	9.8kg

H-Tech LED Shoebox Light

Installation

