

H-Tech LED Flood Light

5 Led Module



- Excellent lamp shape design, greatly improve the light utilization and evenness, LED $T_j < 85^\circ\text{C}$
- Heat Sink and Light Shell in Integration Design, Expanding Effective Thermal Management Area
- Philips Lumileds Source + MeanWell Driver, High Reliability

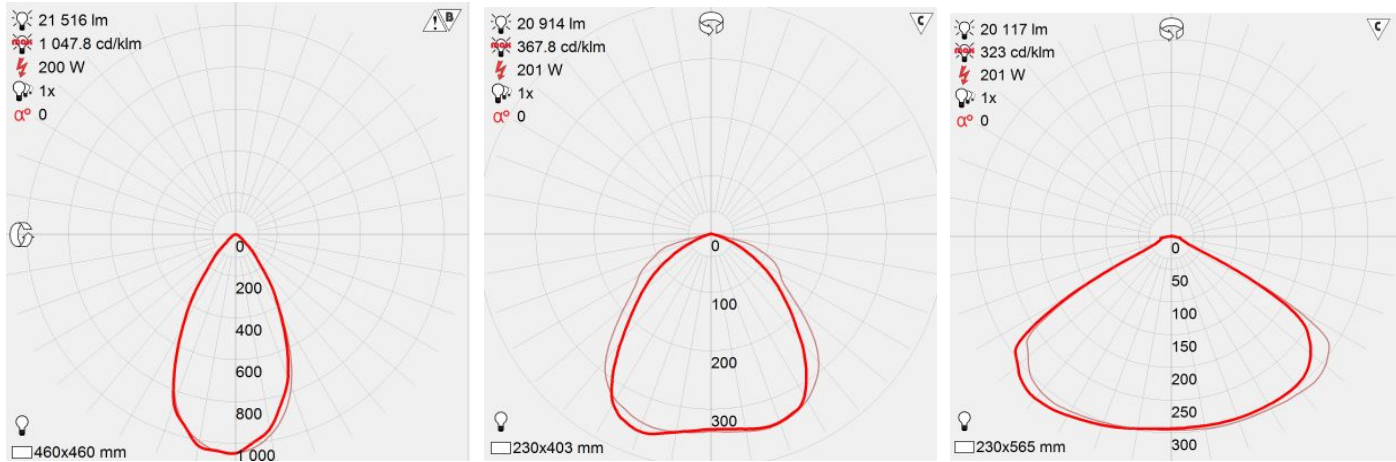
- Our Module products all have get many relevant certificates



Parameter

| | | | |
|--------------------------|--------------------|---------------------------|------------------|
| Type | CH-FG-200W | Input Voltage | 100-277V/50-60Hz |
| Light Source | PHILIPS Lumileds | Dimming | NO |
| Power | 200W | Power Factor | 0.95 |
| Beam Angle | 120° | THD | <15% |
| Luminous Flux | More than 21000LM | Connection | 3 Polors |
| Lumen Efficacy | Up to 105LM/W | Warranty | 5 Years |
| Color Temperature | 5000K(+/-400K) | IP Rating | IP66 |
| Operating Temp. | -30-45°C | Suggested Rep. For | 400W(HID) |
| CRI | Ra70(Ra80Optional) | Certification | UL.DLC.FCC.ROHS |
| Driver | MeanWell | UL Number | E472052 |

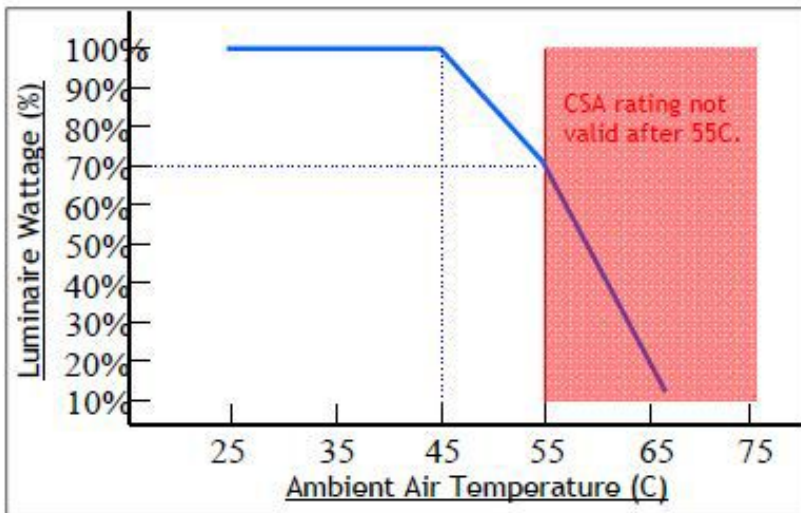
Light Distribution Curve(60/100/120Degree)



Application

Widely used in Outdoor, Sport place, Stadium, Tunnel lighting, Building lighting and some other top lighting. Can also be used as a high bay.

Temperature Compensation



Control module activates at 45C. L70 output reached at 55C.

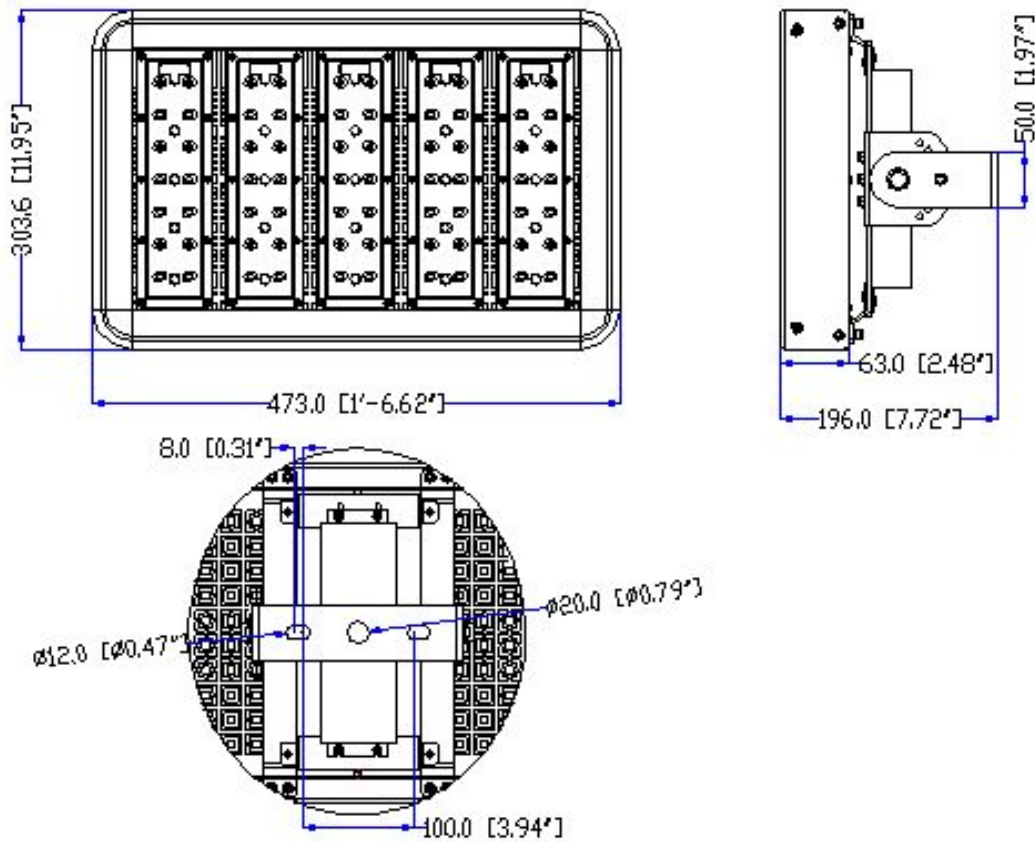
Continuous operation after 55C with increased compensation.

CSA certification valid to 55C only.

Chart accurate for Standard Output versions only.

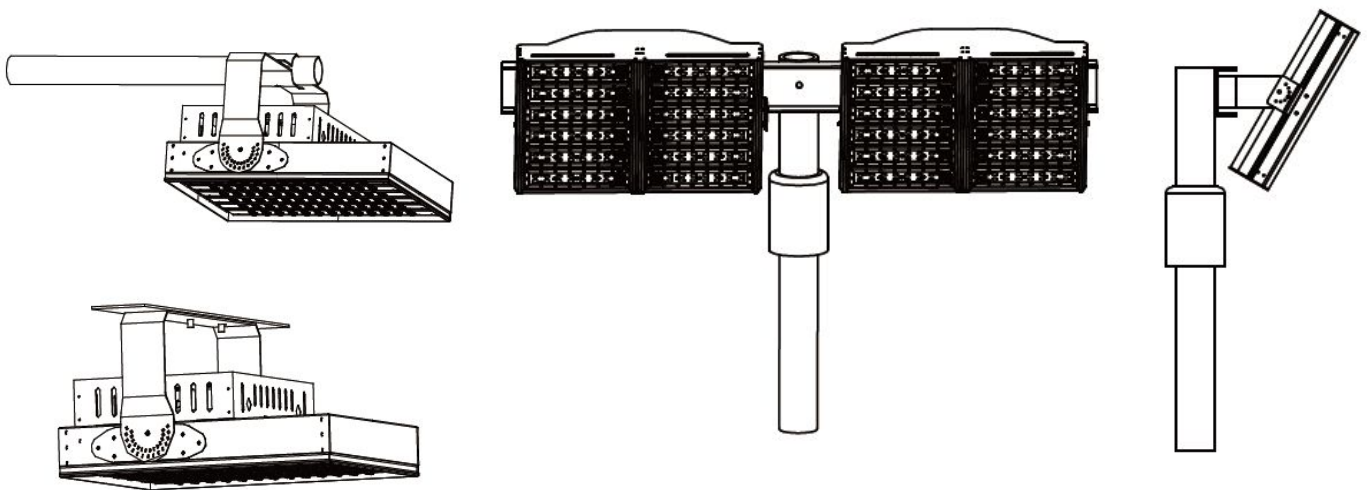
H-Tech LED Flood Light

Size



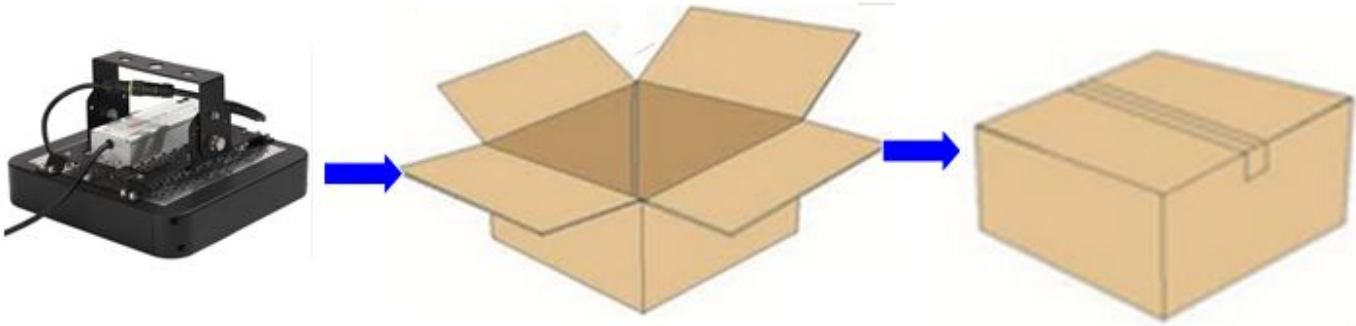
Installation

The range exposure of the light can be adjusted optional .Connected with 3 core wire.



Packing details

| Model | Meas | Qty | Net weight |
|------------|---------------|-------------|------------|
| CH-FG-200W | 375*542*255mm | 1pcs/carton | 11.8kg |



US Patents Pending. Specification subject to change without notice. See website for latest version.

CLTL LED luminaires must be installed by a qualified electrician. It is the responsibility of the contractor, installer, purchaser, owner, and user to install, maintain, and operate the luminaire in such a manner as to comply with all state and local laws, ordinances, regulations, and the American National Standards Institute Safety Code.