

H-Tech LED Flood Light

2 Led Module



- Excellent lamp shape design, greatly improve the light utilization and evenness, LED $T_j < 85^\circ\text{C}$
- Heat Sink and Light Shell in Integration
Design ,Expanding Effective Thermal Management Area
- Philips Lumileds Source+MeanWell Driver ,High Reliability

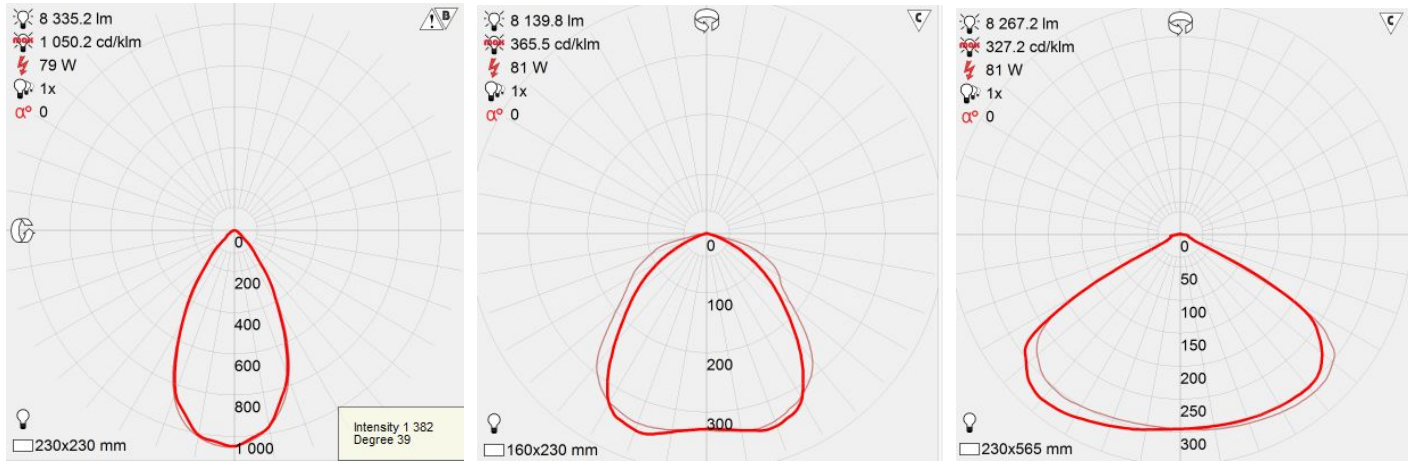
- Our Module products all have get many relevant certificates



Parameter

Type	CH-FG-80W	Input Voltage	100-277V/50-60Hz
Light Source	PHILIPS Lumileds	Dimming	NO
Power	80W	Power Factor	0.95
Beam Angle	120°	THD	<15%
Luminous Flux	More than 8400LM	Connection	3 Polors
Lumen Efficacy	Up to 105LM/W	Warranty	5 Years
Color Temperature	5000K(+/-400K)	IP Rating	IP66
Operating Temp.	-30-45°C	Suggested Rep. For	160W(HID)
CRI	Ra70(Ra80Optional)	Certification	UL.DLC.FCC.ROHS
Driver	MeanWell	UL Number	E472052

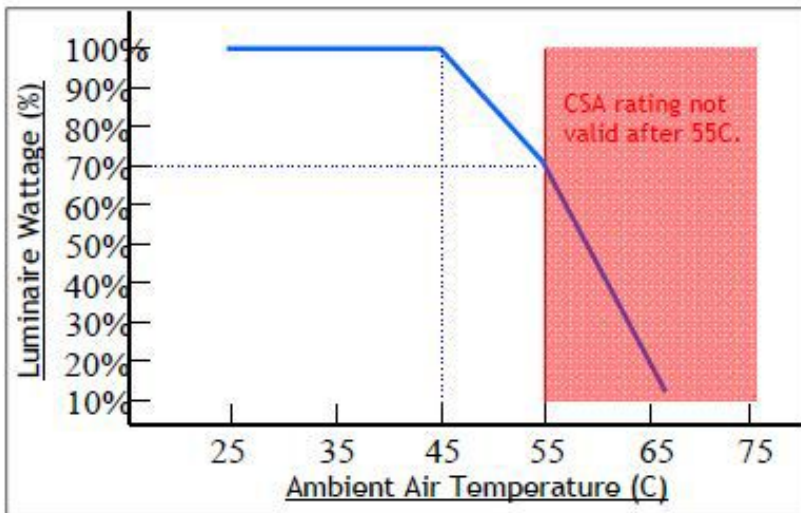
Light Distribution Curve(60/100/120Degree)



Application

Widely used in Outdoor, Sport place 、 Stadium 、 Tunnel lighting、 Building lighting and some other top lighting. Can also be used as a high bay.

Temperature Compensation



Control module activates at 45C. L70 output reached at 55C.

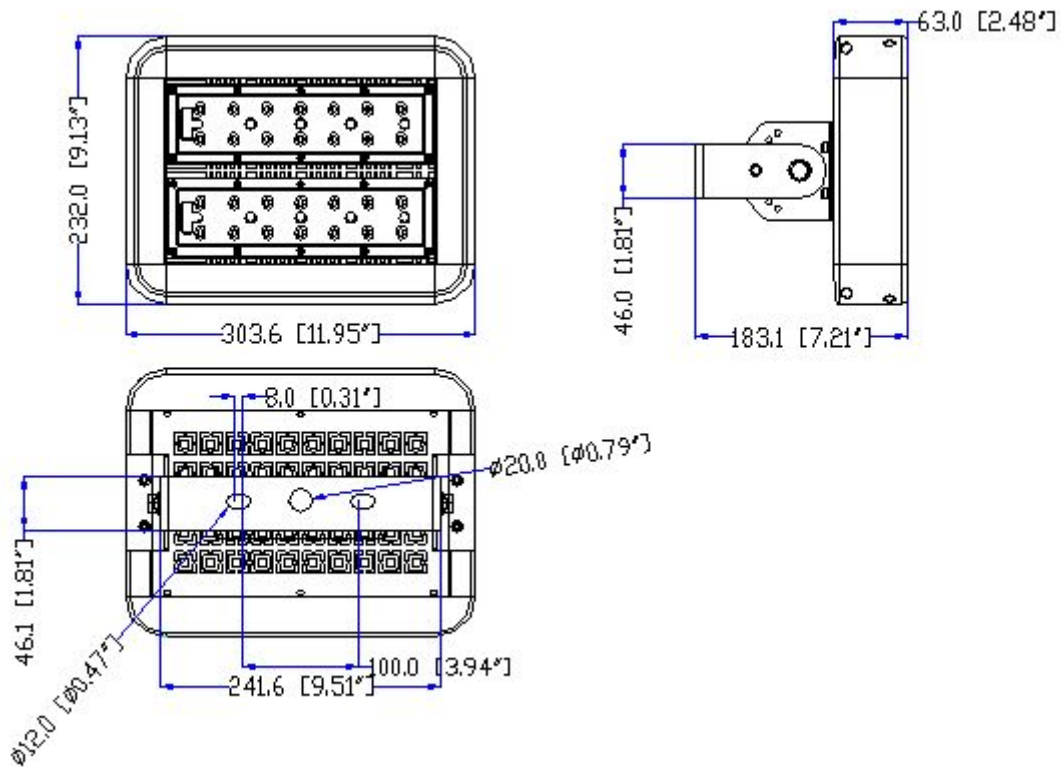
Continuous operation after 55C with increased compensation.

CSA certification valid to 55C only.

Chart accurate for Standard Output versions only.

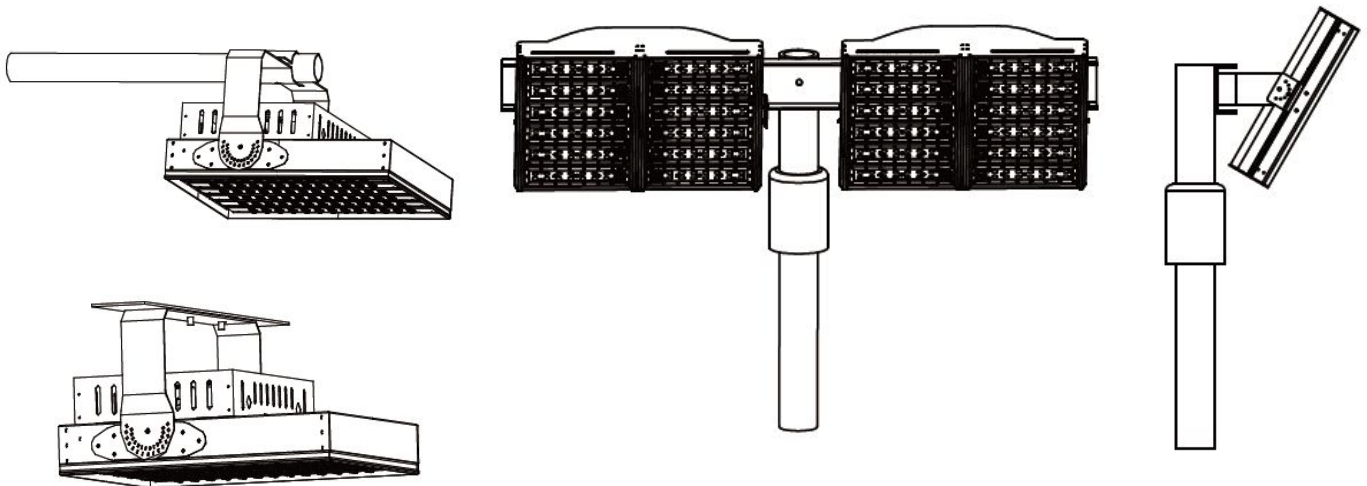
H-Tech LED Flood Light

Size



Installation

The range exposure of the light can be adjusted optional .Connected with 3 core wire.

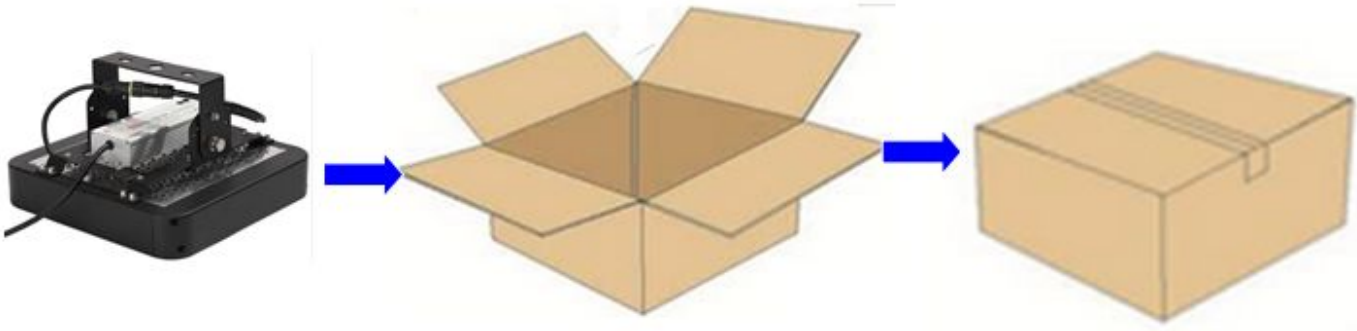


H-Tech LED Flood Light



Packing details

Model	Meas	Qty	Net weight
CH-FG-80W	380*300*255mm	1pcs/carton	8.1kg



US Patents Pending. Specification subject to change without notice. See website for latest version.

CLTL LED luminaires must be installed by a qualified electrician. It is the responsibility of the contractor, installer, purchaser, owner, and user to install, maintain, and operate the luminaire in such a manner as to comply with all state and local laws, ordinances, regulations, and the American National Standards Institute Safety Code.