

H-Tech LED High Bay Light



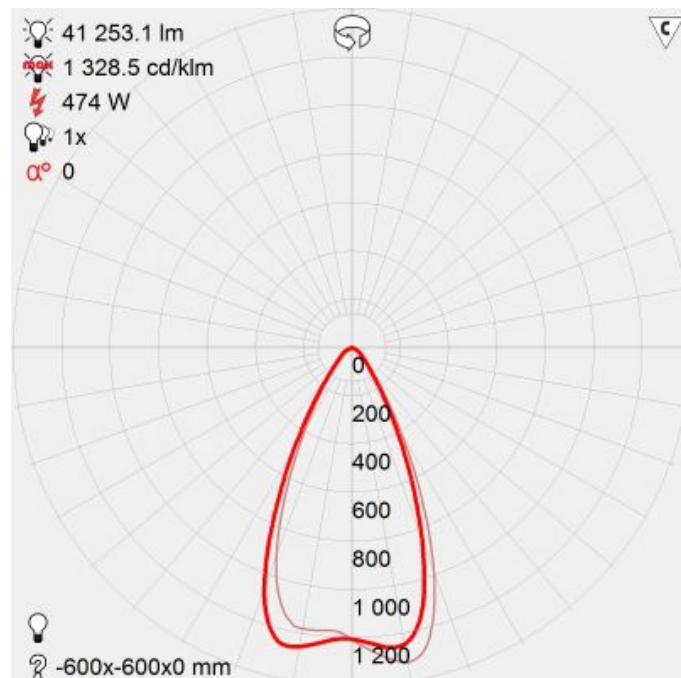
- Philips Lumileds LED source.High luminous efficiency and long life.
- High efficiency LED driver ,the wide input voltage is AC100-277V
- Light efficiency>90LM/W, CRI >75
- Heat pipe with FIN cooling design,better cooling,.LED Tj< 85°C

- The products got the RoHS , UL&CUL ,FCC,DLC certification
- Excellent lampshade design,greatly improve the light utilizationand evenness
- Dimmable Control gear, Energy-saving, convenient and user-friendly

Parameter

| | | | |
|--------------------------|-------------------|----------------------|------------------|
| Type | CH-TJ-460W | Input Voltage | 100-277V/50-60Hz |
| Light Source | PHILIPS Lumileds | Dimming | NO(Upon Request) |
| Power | 460W | Power Factor | 0.95 |
| Beam Angle | 120° | THD | <15% |
| Luminous Flux | More than 41400LM | Connection | 3 Polors |
| Lumen Efficacy | Up to 90LM/W | Warranty | 5 Years |
| Color Temperature | 5000K(+/-400K) | IP Rating | IP67 |
| Operating Temp. | -30-45°C | Replace For | 920W(HID) |
| CRI | Ra75 | Certification | UL.DLC.FCC.ROHS |
| Driver | MeanWell | UL Number | E472052 |

Light Distribution Curve(45°)



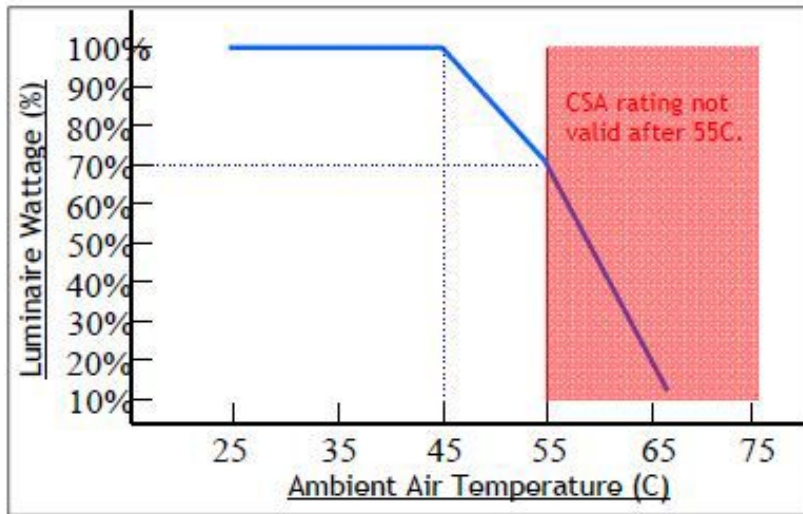
Application

LED High bay Light series can be widely used in indoor or half outdoor lighting, like Indoor parking, mechanical or electronic processing workshops, storage warehouses, steel mills, gas stations, toll booth, waiting rooms, the platforms of railway station etc



H-Tech LED High Bay Light

Temperature Compensation



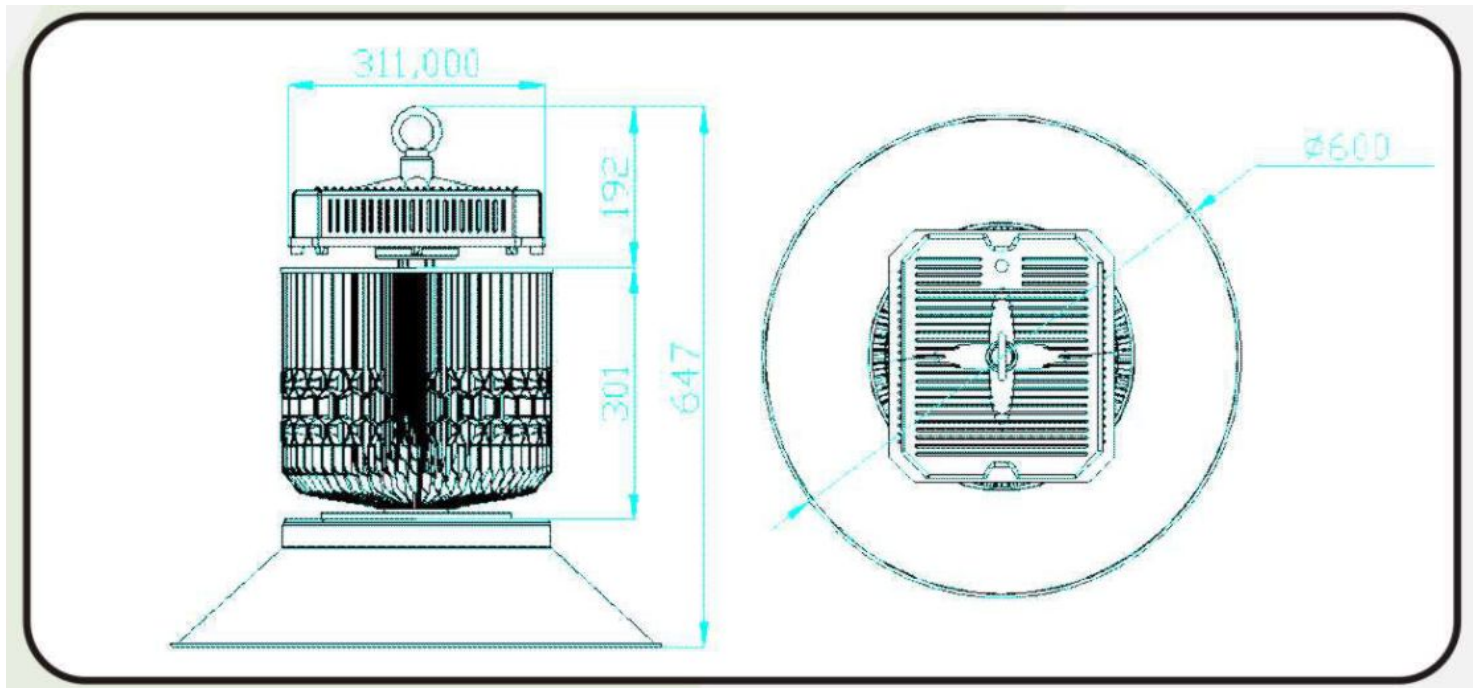
Control module activates at 45C. L70 output reached at 55C.

Continuous operation after 55C with increased compensation.

CSA certification valid to 55C only.

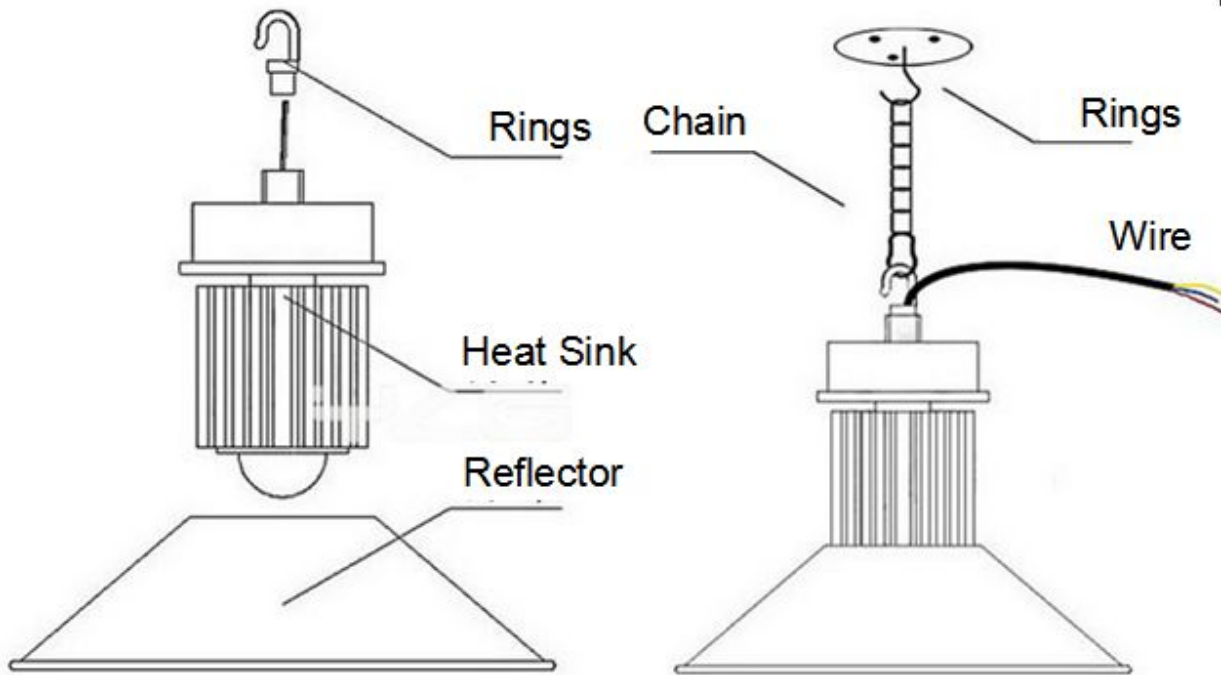
Chart accurate for Standard Output versions only.

Size



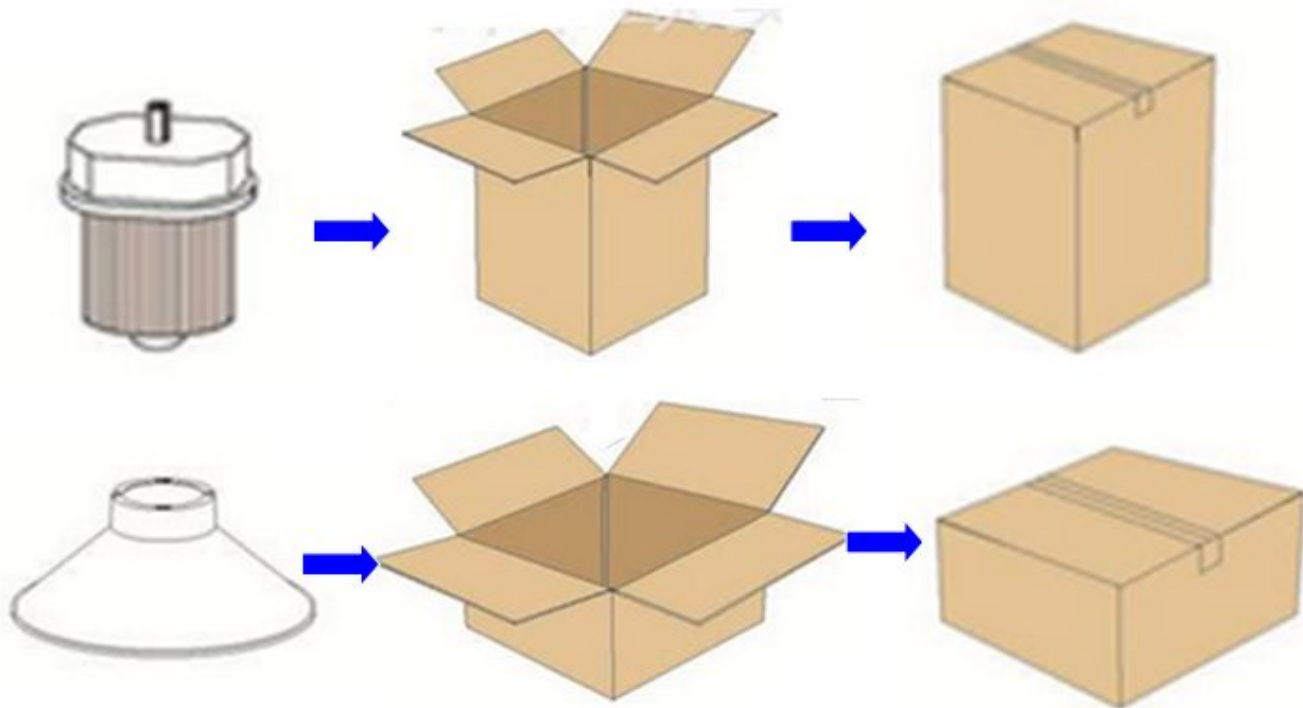
H-Tech LED High Bay Light

Installation

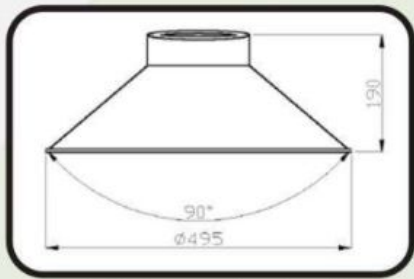


Packing details

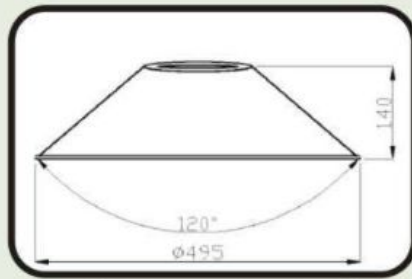
| Model | Meas | Qty | Net weight |
|------------|---------------|-------------|------------|
| CH-TJ-460W | 600*600*660mm | 1pcs/carton | 15kg |



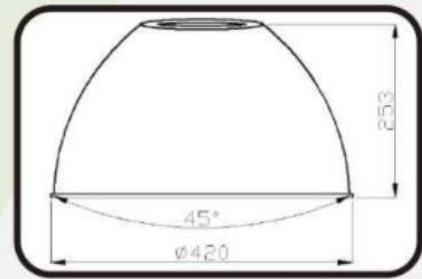
Lampshade Options



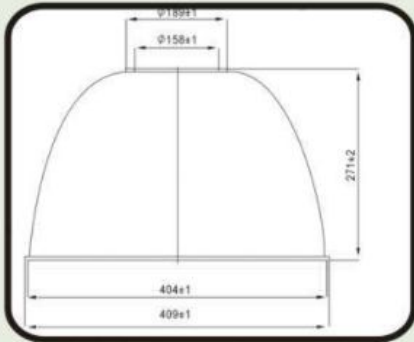
(AI Lampshade A)



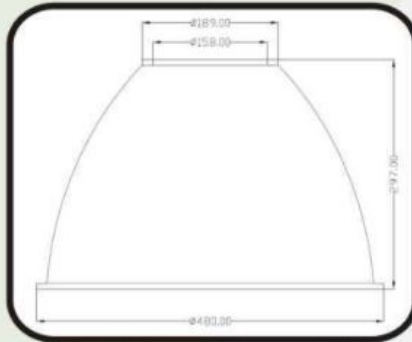
(AI Lampshade B)



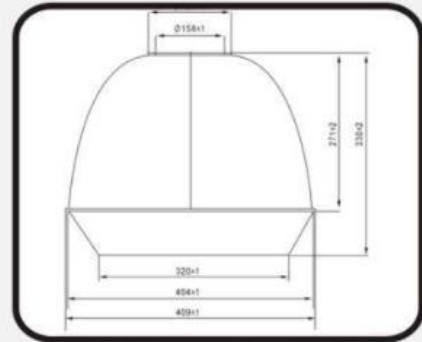
(AI Lampshade C)



(PC Lampshade D)



(PC Lampshade E)



(PC Lampshade F)