

# H-Tech LED Lowbay Light



- Philips Lumileds LED source.High luminous efficiency and long life.
- High efficiency LED driver ,the wide input voltage is AC100-277V
- Light efficiency>90LM/W, CRI >80
- Heat pipe with FIN cooling design,better cooling,.LED Tj<85℃
- The products got the CE RoHS , UL&CUL ,FCC,DLC certification
- Excellent lampshape design,greatly improve the light utilization and evenness
- Dimmable Control gear, Energy-saving, convenient and user-friendly

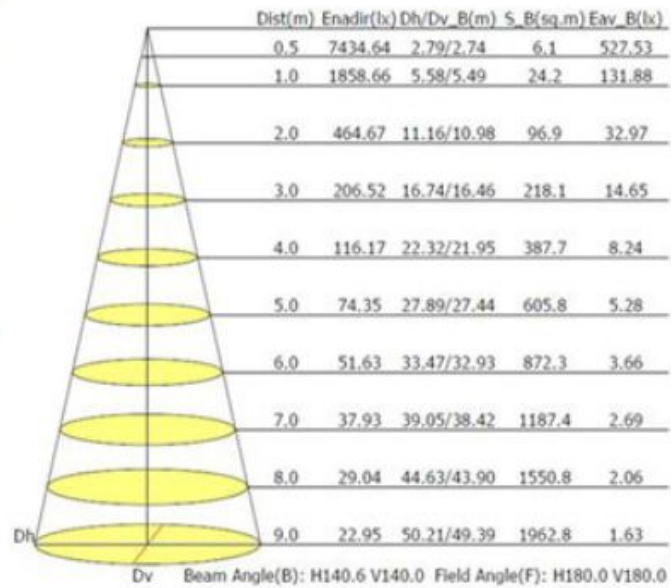
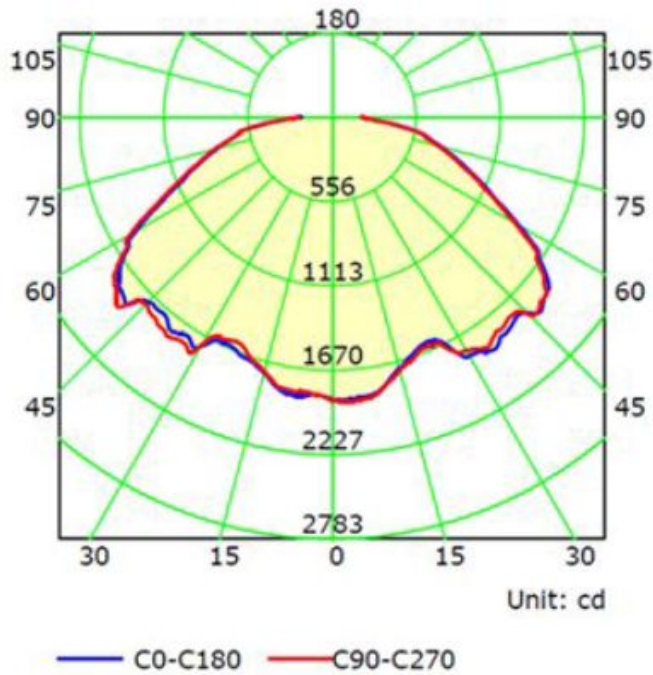
## Parameter

<b>Type</b>	CH-LBY-90W	<b>Input Voltage</b>	100-277V/50-60Hz
<b>Light Source</b>	PHILIPS Lumileds	<b>Dimming</b>	NO(Upon Request)
<b>Power</b>	90W	<b>Power Factor</b>	0.95
<b>Beam Angle</b>	120°	<b>THD</b>	<15%
<b>Luminous Flux</b>	More than 8100LM	<b>Connection</b>	3 Polors
<b>Lumen Efficacy</b>	Up to 90LM/W	<b>Warranty</b>	5 Years
<b>Color Temperature</b>	5000K(+/-400K)	<b>IP Rating</b>	IP54

# H-Tech LED Lowbay Light

<b>Operating Temp.</b>	-30-45°C	<b>Replace For</b>	180W(HID)
<b>CRI</b>	Ra80	<b>Certification</b>	UL.DLC.FCC.ROHS
<b>Driver</b>	MeanWell	<b>UL Number</b>	E472052

## Light Distribution Curve

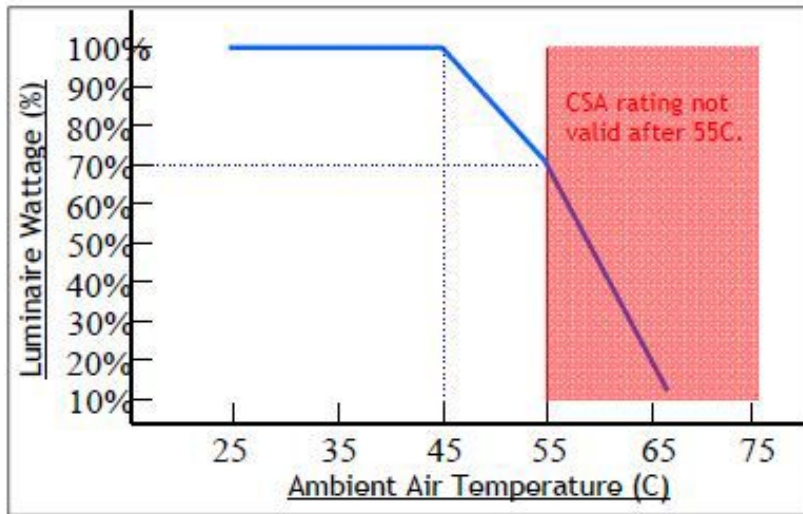


**CH-LBY-90W-LV-XXK-YY**

## Application

LED Canopy Light series can be widely used in indoor or half outdoor lighting, like Indoor parking, mechanical or electronic processing workshops, storage warehouses, steel mills, gas stations, toll booth, waiting rooms, the platforms of railway station etc

## Temperature Compensation



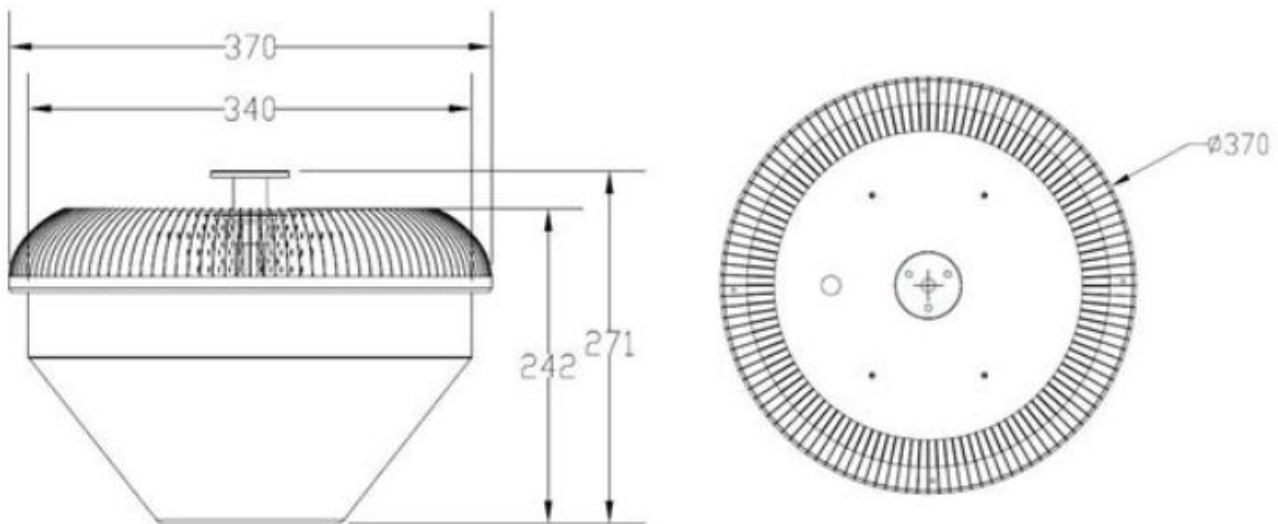
Control module activates at 45C. L70 output reached at 55C.

Continuous operation after 55C with increased compensation.

CSA certification valid to 55C only.

Chart accurate for Standard Output versions only.

## Size

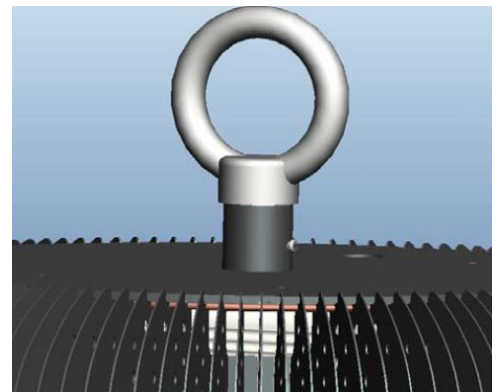
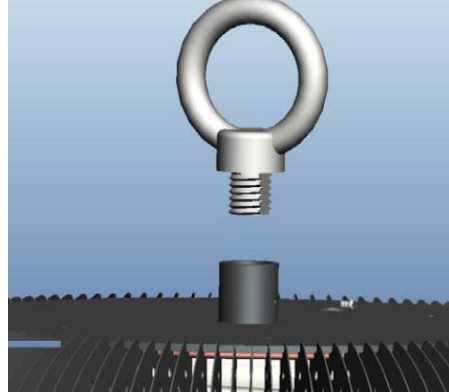
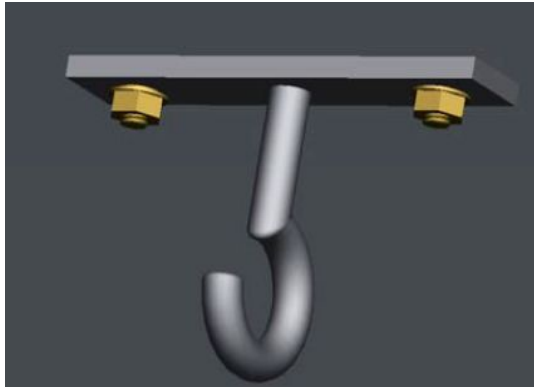


CH-LBY-60W/90W-LV-XXK-YY

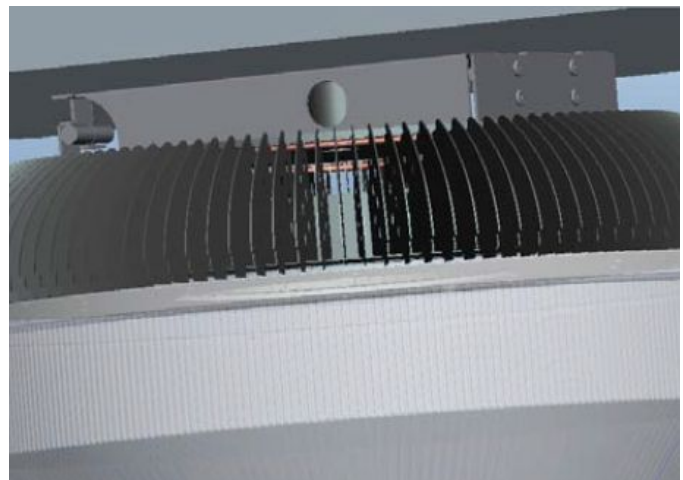
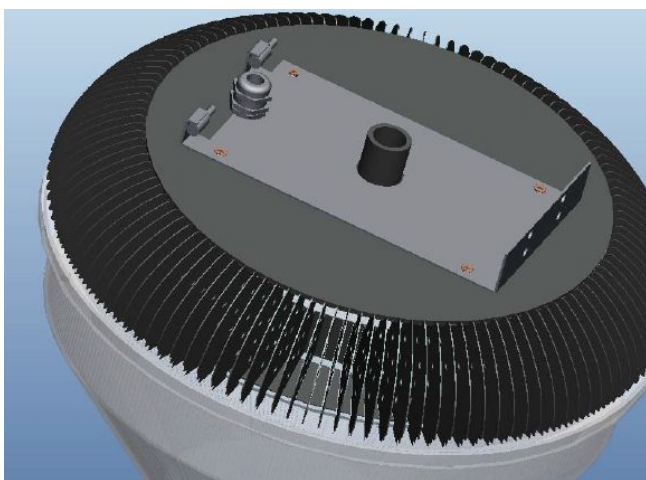
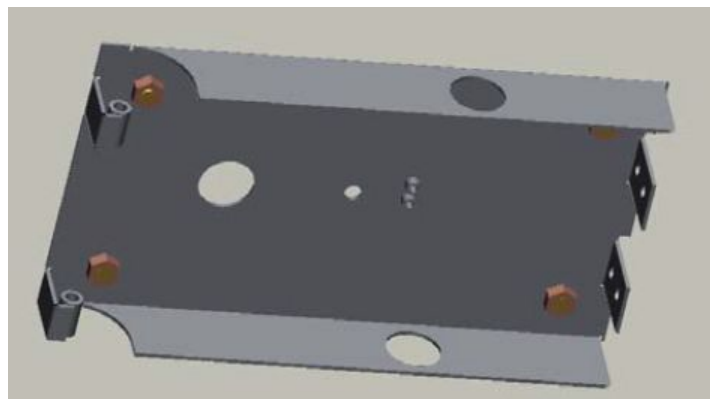
## Installation

The range exposure of the light can be adjusted optional .Connected with 3 core wire.

### (一) The First Style



### (二) The Second Style





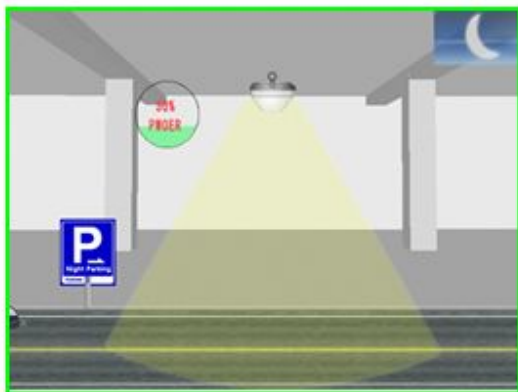
# H-Tech LED Lowbay Light

## Packing details

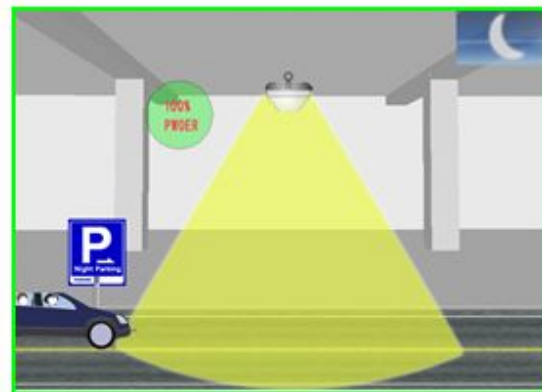
Model	Meas	Qty	Net weight
CH-LBY-90W-LV-XXK-YY	410*410*320mm	1pcs/carton	3.5kg



## Dimmable Control Instructions(Upon Reque)



**Model 1:** Lights brightness keeps to be 30% (adjustable) when there is nobody



**Model 2 :** When people enter the sensing area, all lights will turn on (100%)



**Model 3 :** Whole brightness will continue for a while after people leave



**Mode 4:**After a period people left(the period can be set), lighting brightness recover to 30%

