

H-Tech LED Lowbay Light



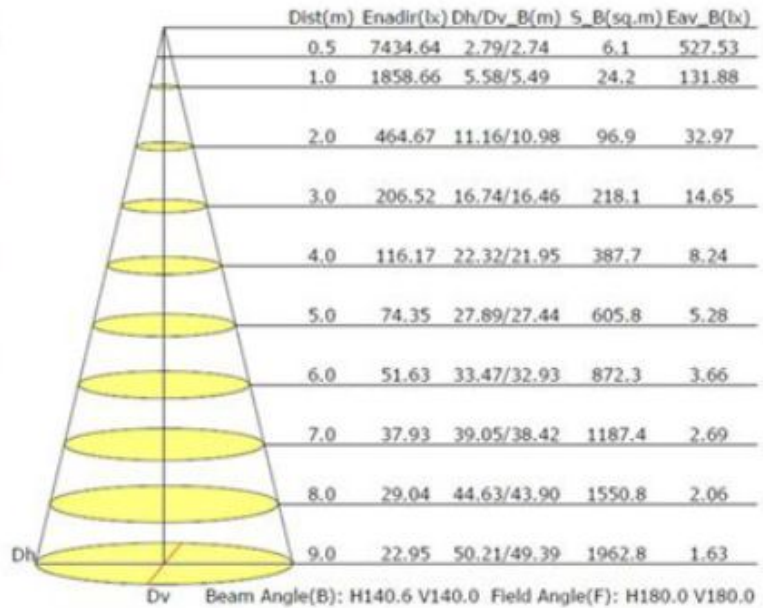
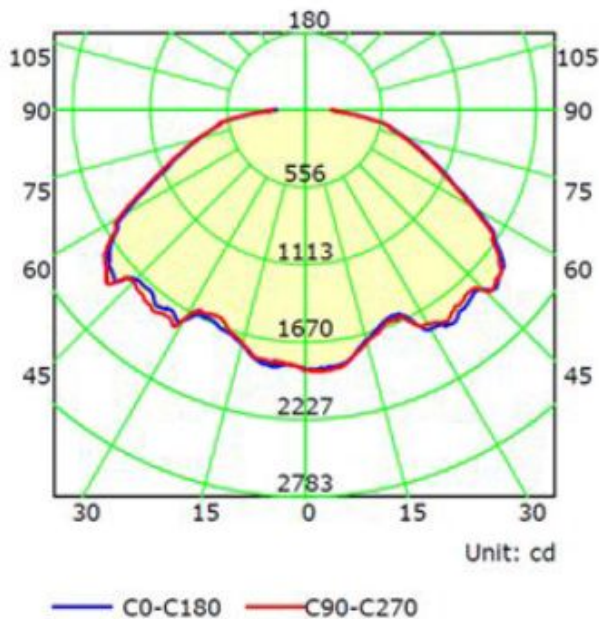
- Philips Lumileds LED source.High luminous efficiency and long life.
- High efficiency LED driver ,the wide input voltage is AC100-277V
- Light efficiency>90LM/W, CRI >80
- Heat pipe with FIN cooling design,better cooling,.LED Tj<85°C

- The products got the CE RoHS , UL&CUL ,FCC,DLC certification
- Excellent lampshape design,greatly improve the light utilization and evenness
- Dimmable Control gear, Energy-saving, convenient and user-friendly

Parameter

Type	CH-LBF-90W	Input Voltage	100-277V/50-60Hz
Light Source	PHILIPS Lumileds	Dimming	NO(Upon Request)
Power	90W	Power Factor	0.95
Beam Angle	120°	THD	<15%
Luminous Flux	More than 8100LM	Connection	3 Polors
Lumen Efficacy	Up to 90LM/W	Warranty	5 Years
Color Temperature	5000K(+/-400K)	IP Rating	IP65
Operating Temp.	-30-45°C	Replace For	180W(HID)
CRI	Ra80	Certification	UL.DLC.FCC.ROHS
Driver	MeanWell	UL Number	E472052

Light Distribution Curve

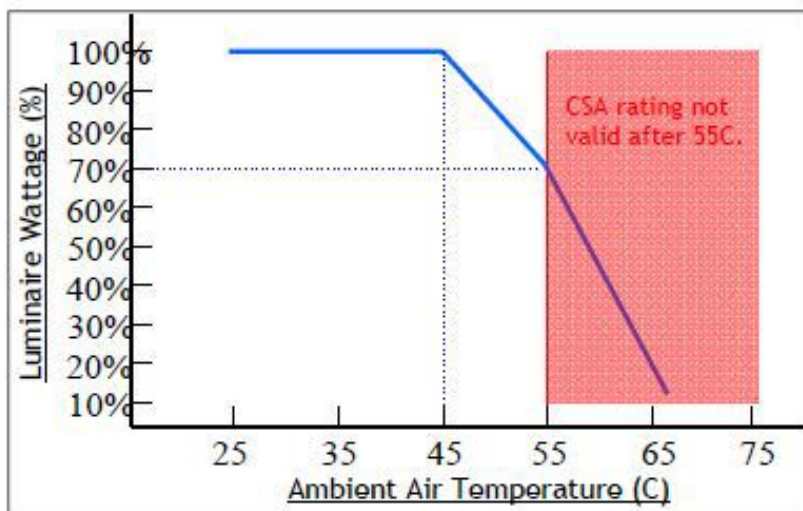


CH-LBF-90W-LV-XXK-YY

Application

LED Canopy Light series can be widely used in indoor or half outdoor lighting, like Indoor parking, mechanical or electronic processing workshops, storage warehouses, steel mills, gas stations, toll booth, waiting rooms, the platforms of railway station etc

Temperature Compensation



Control module activates at 45C. L70 output reached at 55C.

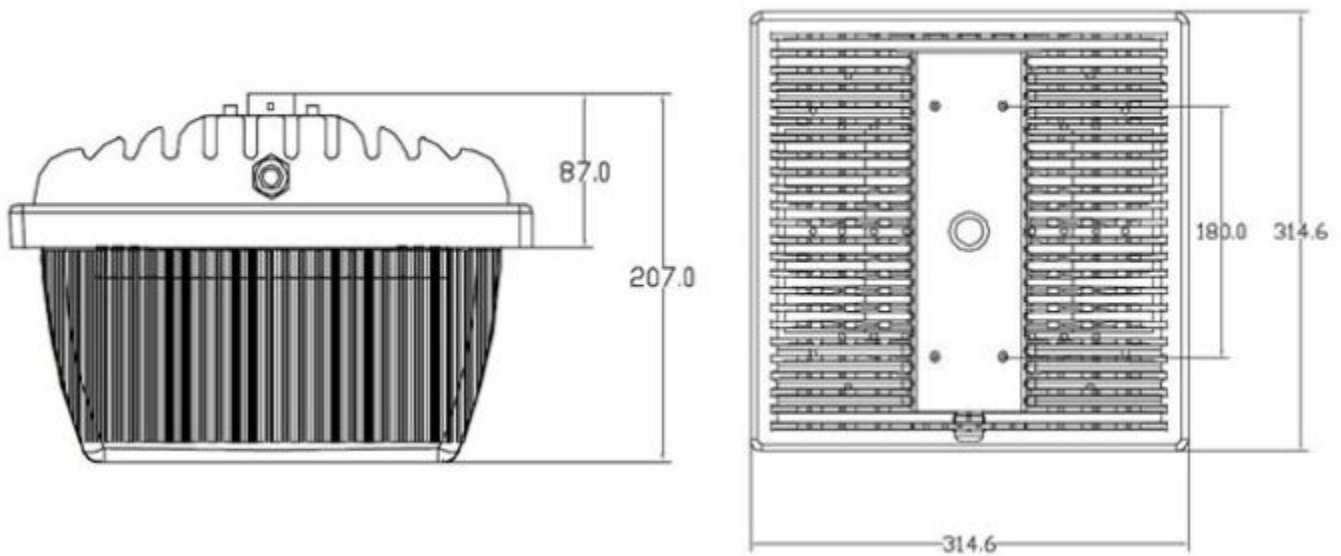
Continuous operation after 55C with increased compensation.

CSA certification valid to 55C only.

Chart accurate for Standard Output versions only.

H-Tech LED Lowbay Light

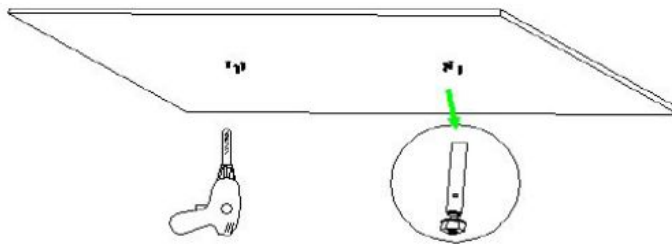
Size



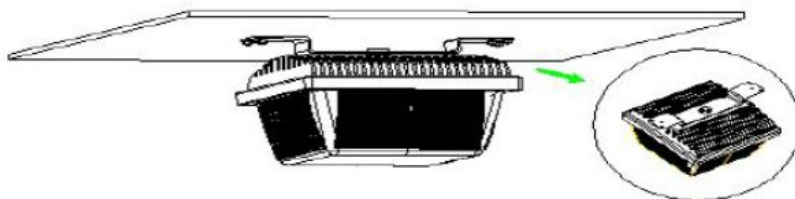
Installation

The range exposure of the light can be adjusted optional .Connected with 3 core wire.

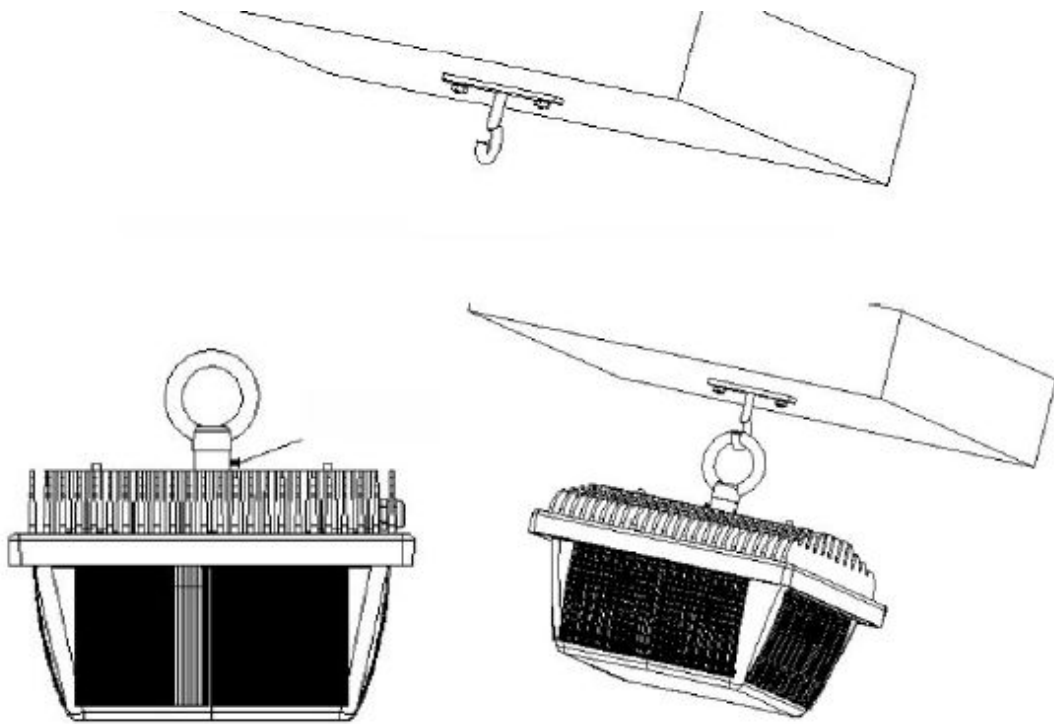
(一) The First Style



Step1: Drilled 6 holes with a 8mm diameter on the ceiling, please pay attention that the position of the hole should be aligned with screw holes on the product, holes distance please see installation instructions.



(二) The Second Style



Packing details

Model	Meas	Qty	Net weight
CH-LBF-90W-LV-XXK-YY	410*410*320mm	1pcs/carton	5.2kg

